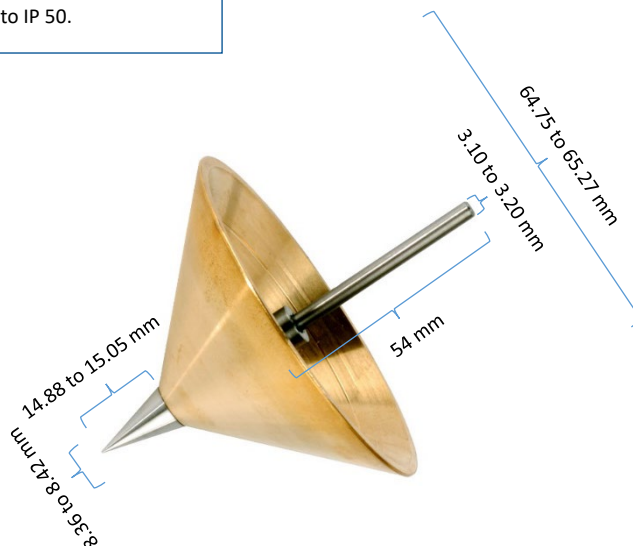


## Seta Penetration Cones

**18000-0 & 18050-0**

ASTM-IP Optional Cone – Weight  $102.5 \pm 0.05$  g

**Note:** 18050-0 is UKAS certified to IP 50.



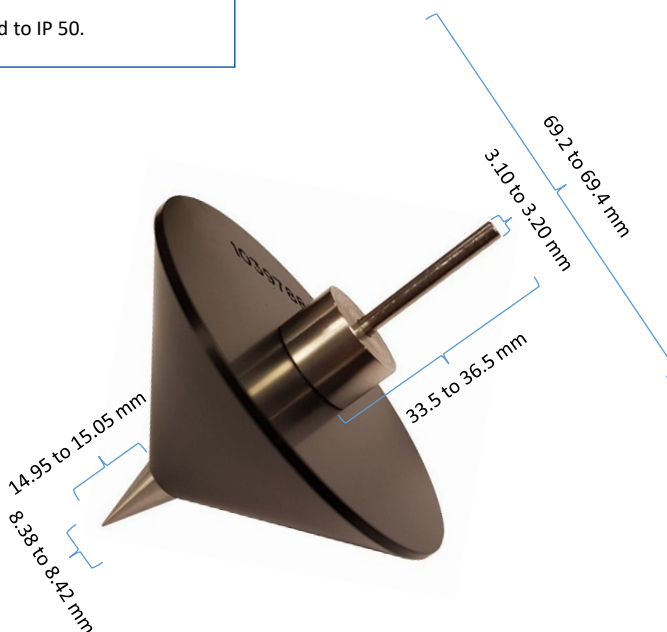
**Conical brass body with a hardened steel tip.**

**30° angle  $+0.3^\circ -0.4^\circ$**

**18051-0 & 18140-0**

ASTM-IP Standard Cone – Weight  $102.5 \pm 0.05$  g

**Note:** 18051-0 is UKAS certified to IP 50.

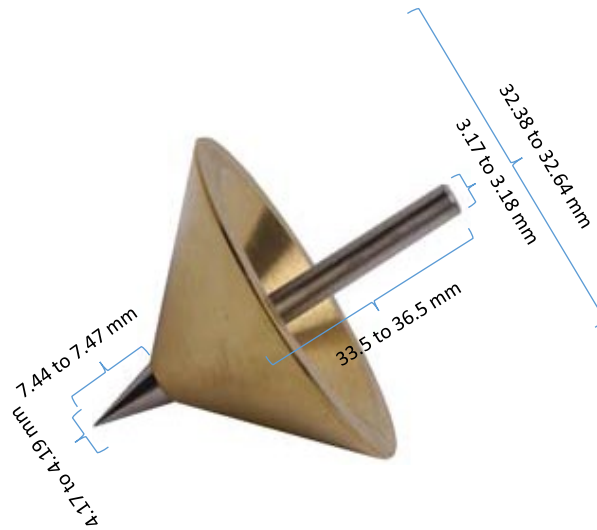


**Conical acetal body with a hardened steel tip.**

**30° angle  $+0.3^\circ -0.4^\circ$**

18060-0

Half-scale Cone – Weight  $22.5 \pm 0.25$  g



**Conical brass body with a hardened steel tip.**

**30° angle**